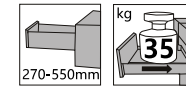


DZ SLIM LUXURY DOUBLE WALL DRAWER

超薄豪华骑马抽屉系列



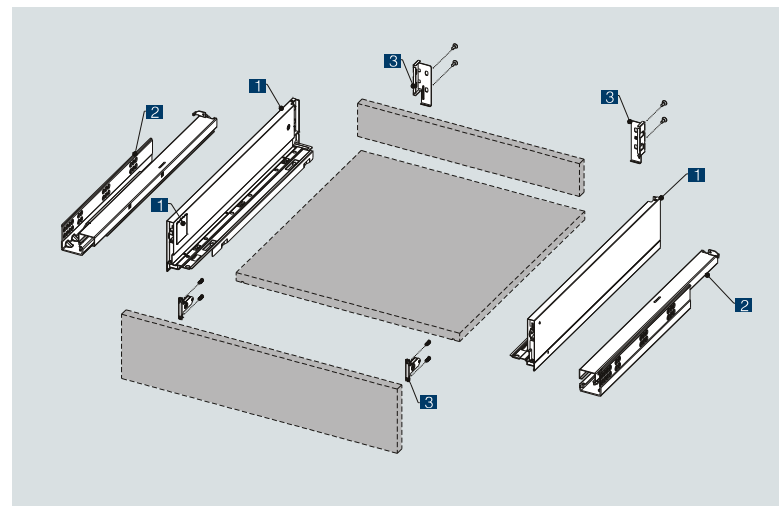


可配加高连杆 Optional tube



- 隐藏式全拉出缓冲抽屉
- 表面颜色: 灰色、白色及其它颜色
- 载重: 35kg
- 无需工具, 抽屉可快速安装和拆卸
- 同步静音系统, 滑轨运动顺畅
- 三维调节, 上下(可调 ± 2mm)、左右(可调 ± 1.5mm)方向, 面板倾斜调节
- 自闭功能, 平缓关闭, 抽屉关闭不受重量影响
- 长度: 270-550mm
- 针对面板无拉手的情形, 可选用内置反弹功能的 N3R隐藏式反弹滑轨
- Soft close concealed full extension drawer
- Finish color: gray, white or various colors available
- Dynamic load capacity: 35kg
- Tool-free quick installation
- Stroke synchronous quiet system can guarantee the slides run smoothly without noise
- 6-way adjustment: ± 2mm up and down, ± 1.5mm left and right, front panel tilt adjustment
- Soft-closing function make the drawer close safely without effect of weight
- Length: 270-550mm
- For the panel without handle, can choose the N3R concealed slide with built-in push-open function

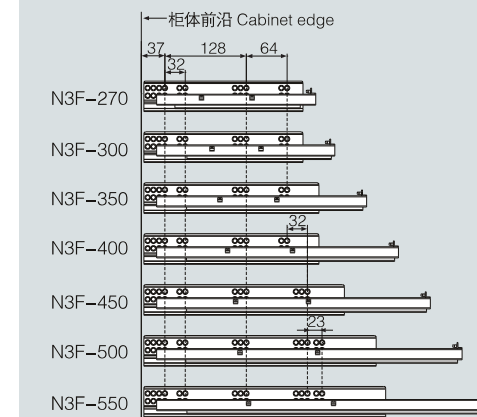
产品型号 Item No.	滑轨型号及标称长度 Nominal length NL (mm)	拉出长度 (mm) Travel length	最小柜深LT (mm) Min cabinet depth	包装 (套/箱) Packing (Set/Box)
DZ63-270W	N3F-270 缓冲滑轨	249	280	4
DZ63-300W	N3F-300 缓冲滑轨	279	310	4
DZ63-350W	N3F-350 缓冲滑轨	329	296	4
DZ63-400W	N3F-400 缓冲滑轨	379	346	4
DZ63-450W	N3F-450 缓冲滑轨	429	396	4
DZ63-500W	N3F-500 缓冲滑轨	479	446	4
DZ63-550W	N3F-550 缓冲滑轨	529	560	4



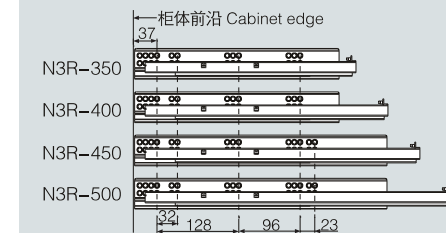
- DZ63 侧板(左/右)+装饰盖 1付
DZ63 Side board (L/R)+Cover 1Pair
- N3F 缓冲滑轨(左/右) 1付 (可选N3F缓冲滑轨或N3R反弹滑轨)
Slides (L/R) 1Pair (Optional N3F Soft-closing slide or N3R Push-open slide)
- DZ63 配件包(左/右) 1付
DZ63 Fitting bag (L/R) 1Pair

柜体滑轨安装孔尺寸 Hole pattern

N3F 缓冲滑轨 Soft-closing slide (可选同步缓冲滑轨 Optional Synchronous soft-closing slide)



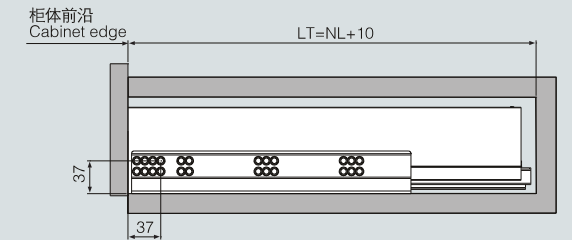
N3R 反弹滑轨 N3R Push-open slide



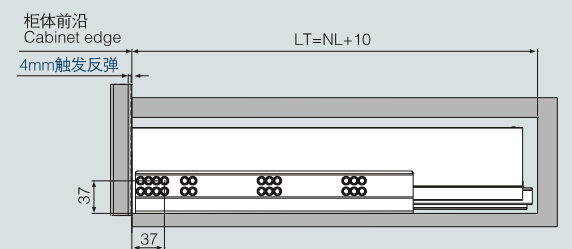
滑轨安装尺寸 Installation size

N3F 缓冲滑轨 N3F Soft-closing slide

LT: 最小柜深 Min cabinet depth
NL: 标称长度 Nominal length

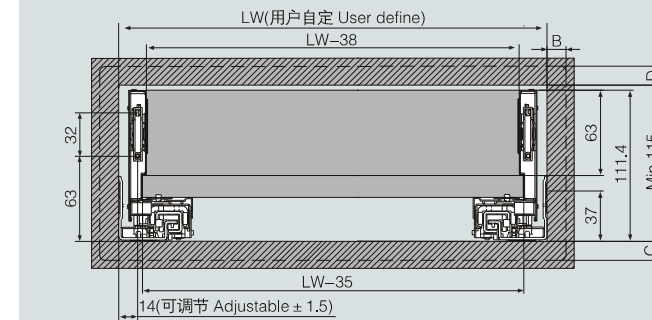


N3R 反弹滑轨 N3R Push-open slide



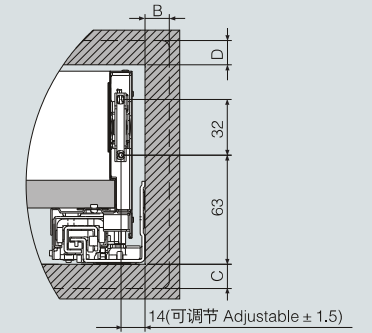
柜体所需空间 Space required

LW: 柜体净宽 Inside net width B/C/D: 用户自定义 User defines Min: 最小尺寸

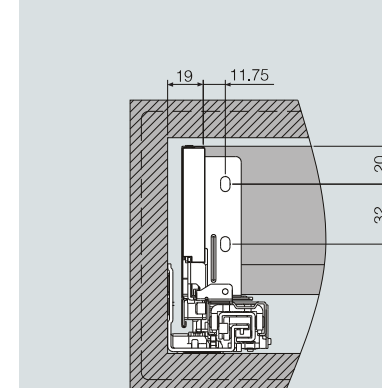


前接码面板安装尺寸 Connectors front panel dimensions

B/C/D: 用户自定义 User defines



背板安装尺寸 Rear panel dimensions

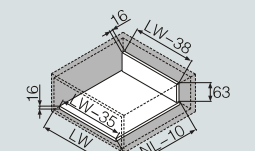


调节机构 Adjustment mechanism

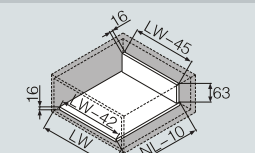
- 上下调节 Up and down
- 面板拆卸 Pop-up panel
- 左右调节 Horizontal adjusting
- 面板倾斜调节 Front panel tilt adjustment

抽屉木板尺寸 Drawer board dimensions

S3A 同步缓冲滑轨 S3A Synchronous soft-closing slide
LW: 柜体净宽 Inside net width NL: 标称长度 Nominal length



N3R 反弹滑轨 N3R Push-open slide

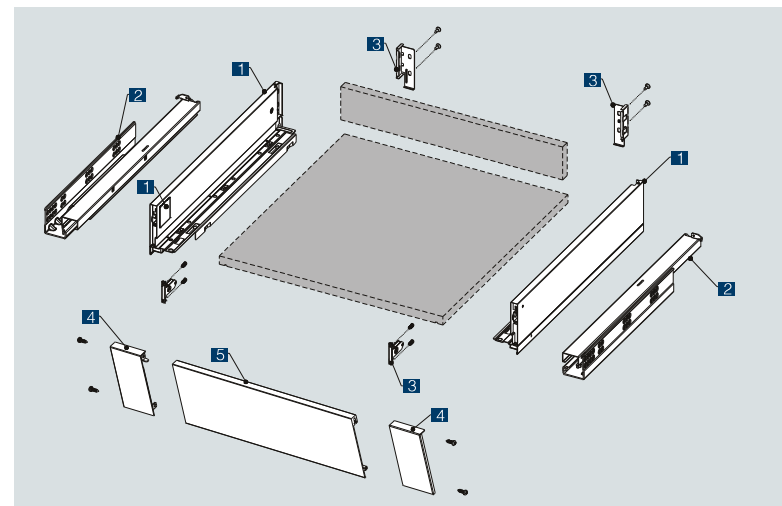


板厚 Board thickness: 16mm

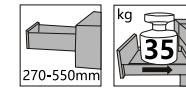


- 隐藏式全拉出缓冲抽屉
 - 表面颜色: 灰色、白色及其它颜色
 - 载重: 35kg
 - 无需工具, 抽屉可快速安装和拆卸
 - 同步静音系统, 滑轨运动顺畅
 - 三维调节, 上下(可调 ±2mm)、左右(可调 ±1.5mm)方向, 面板倾斜调节
 - 自闭功能, 平缓关闭, 抽屉关闭不受重量影响
 - 长度: 270-550mm
 - 针对面板无拉手的情形, 可选用内置反弹功能的 N3R隐藏式反弹滑轨
- Soft close concealed full extension drawer
 - Finish color: gray, white or various colors available
 - Dynamic load capacity: 35kg
 - Tool-free quick installation
 - Stroke synchronous quiet system can guarantee the slides run smoothly without noise
 - 6-way adjustment: ±2mm up and down, ±1.5mm left and right, front panel tilt adjustment
 - Soft-closing function make the drawer close safely without effect of weight
 - Length: 270-550mm
 - For the panel without handle, can choose the N3R concealed slide with built-in push-open function

产品型号 Item No.	滑轨型号及标称长度 Nominal length NL (mm)	拉出长度 (mm) Travel length	最小柜深LT (mm) Min cabinet depth	包装 (套/箱) Packing (Set/Box)
DZ63-270N	N3F-270 缓冲滑轨	249	280	4
DZ63-300N	N3F-300 缓冲滑轨	279	310	4
DZ63-350N	N3F-350 缓冲滑轨 N3R-350 反弹滑轨	329	296	4
DZ63-400N	N3F-400 缓冲滑轨 N3R-400 反弹滑轨	379	346	4
DZ63-450N	N3F-450 缓冲滑轨 N3R-450 反弹滑轨	429	396	4
DZ63-500N	N3F-500 缓冲滑轨 N3R-500 反弹滑轨	479	510	4
DZ63-550N	N3F-550 缓冲滑轨	529	560	4

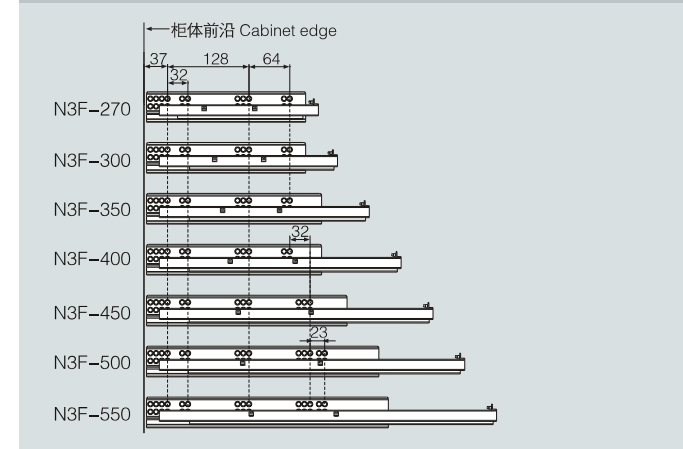


- DZ63 侧板(左/右)+装饰盖 1付
DZ63 Side board (L/R)+Cover 1Pair
- N3F缓冲滑轨
N3R反弹滑轨
滑轨(左/右) 1付 (可选N3F缓冲滑轨或N3R反弹滑轨)
Slides (L/R) 1Pair (Optional N3F Soft-closing slide or N3R Push-open slide)
- DZ63 配件包(左/右) 1付
DZ63 Fitting bag (L/R) 1Pair
- DZ63 金属组件(左/右) 1付
DZ63 Metal part component (L/R) 1Pair
- DZ63 铝面板 1条
DZ63 Aluminum front panel 1Pcs

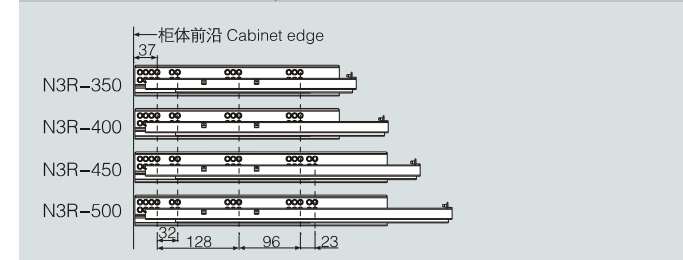


柜体滑轨安装孔尺寸 Hole pattern

N3F 缓冲滑轨 Soft-closing slide (可选同步缓冲滑轨 Optional Synchronous soft-closing slide)

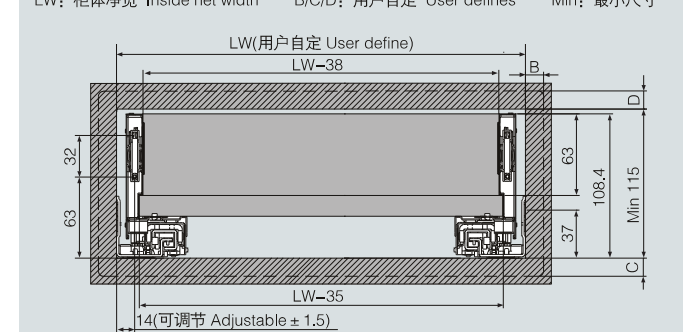


N3R 反弹滑轨 N3R Push-open slide



柜体所需空间 Space required

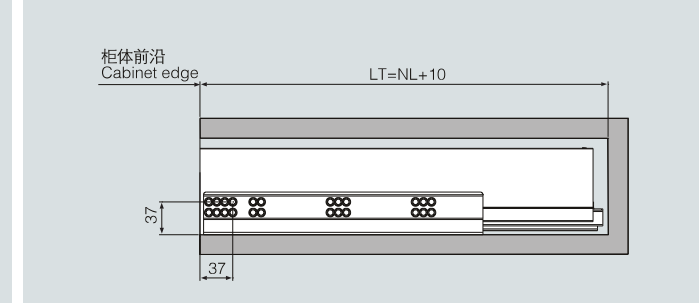
LW: 柜体净宽 Inside net width B/C/D: 用户自定义 User defines Min: 最小尺寸



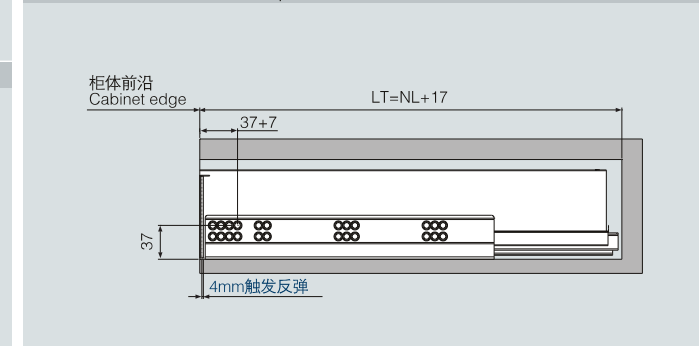
滑轨安装尺寸 Installation size

N3F 缓冲滑轨 N3F Soft-closing slide

LT: 最小柜深 Min cabinet depth
NL: 标称长度 Nominal length

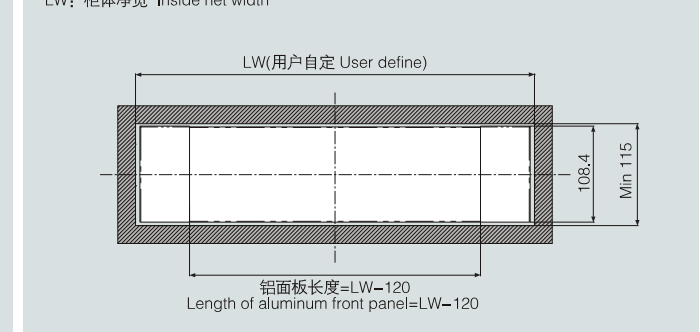


N3R 反弹滑轨 N3R Push-open slide

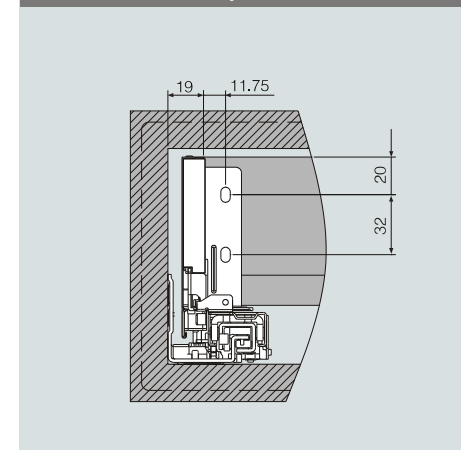


铝面板装配示意 Aluminum front panel assembly

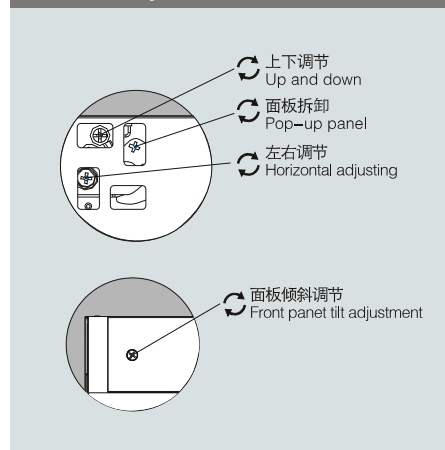
LW: 柜体净宽 Inside net width



背板安装尺寸 Rear panel dimensions



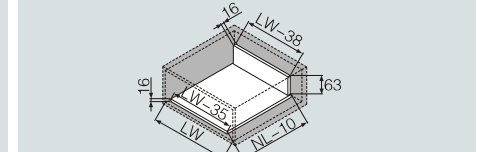
调节机构 Adjustment mechanism



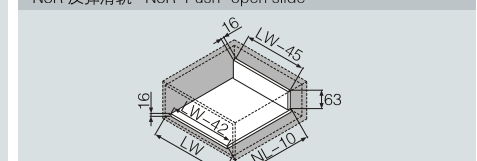
抽屉木板尺寸 Drawer board dimensions

S3A 同步缓冲滑轨 S3A Synchronous soft-closing slide

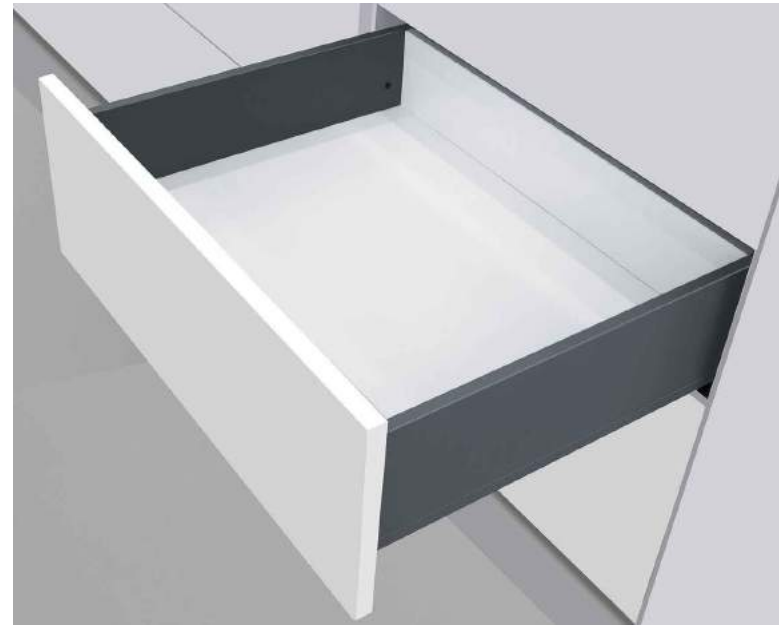
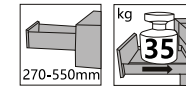
LW: 柜体净宽 Inside net width NL: 标称长度 Nominal length



N3R 反弹滑轨 N3R Push-open slide



板厚 Board thickness: 16mm



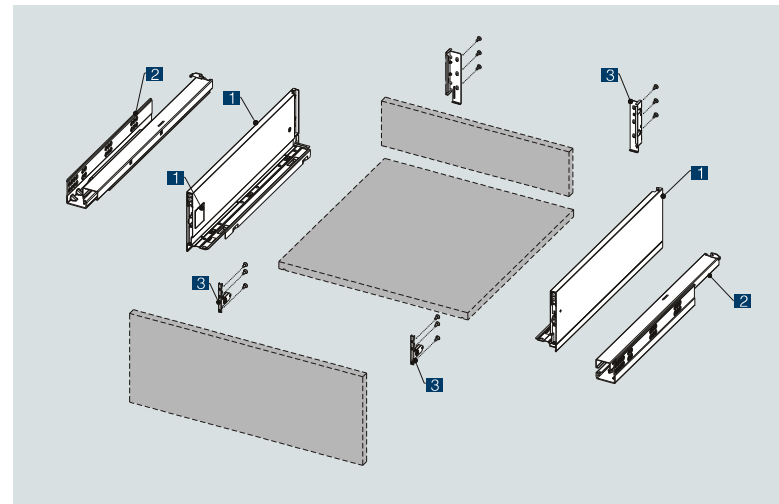
可配加高连杆 Optional tube



- 隐藏式全拉出缓冲抽屉
- 表面颜色: 灰色、白色及其它颜色
- 载重: 35kg
- 无需工具, 抽屉可快速安装和拆卸
- 同步静音系统, 滑轨运动顺畅
- 三维调节, 上下(可调 ± 2mm)、左右(可调 ± 1.5mm)方向, 面板倾斜调节
- 自闭功能, 平缓关闭, 抽屉关闭不受重量影响
- 长度: 270-550mm
- 针对面板无拉手的情形, 可选用内置反弹功能的 N3R隐藏式反弹滑轨

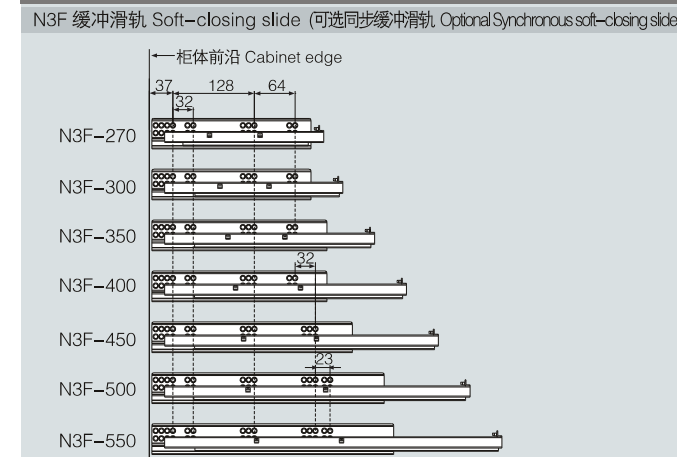
- Soft close concealed full extension drawer
- Finish color: gray, white or various colors available
- Dynamic load capacity: 35kg
- Tool-free quick installation
- Stroke synchronous quiet system can guarantee the slides run smoothly without noise
- 6-way adjustment: ± 2mm up and down, ± 1.5mm left and right, front panel tilt adjustment
- Soft-closing function make the drawer close safely without effect of weight
- Length: 270-550mm
- For the panel without handle, can choose the N3R concealed slide with built-in push-open function

产品型号 Item No.	滑轨型号及标称长度 Nominal length NL (mm)	拉出长度 (mm) Travel length	最小柜深LT (mm) Min cabinet depth	包装 (套/箱) Packing (Set/Box)
DZ101-270W	N3F-270 缓冲滑轨	249	280	4
DZ101-300W	N3F-300 缓冲滑轨	279	310	4
DZ101-350W	N3F-350 缓冲滑轨	329	360	4
DZ101-400W	N3F-400 缓冲滑轨	379	410	4
DZ101-450W	N3F-450 缓冲滑轨	429	460	4
DZ101-500W	N3F-500 缓冲滑轨	479	510	4
DZ101-550W	N3F-550 缓冲滑轨	529	560	4

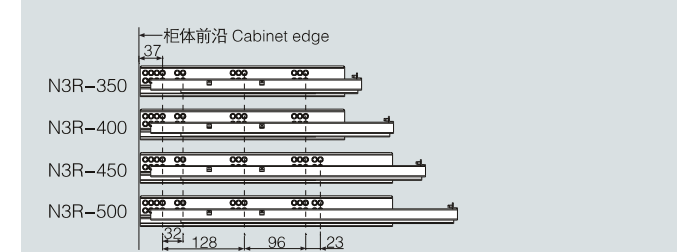


- 1** DZ101 侧板(左/右)+装饰盖 1付
DZ101 Side board (L/R)+Cover 1Pair
- 2** N3F缓冲滑轨(左/右) 1付 (可选N3F缓冲滑轨或N3R反弹滑轨)
Slides (L/R) 1Pair (Optional N3F Soft-closing slide or N3R Push-open slide)
- 3** DZ101 配件包(左/右) 1付
DZ101 Fitting bag (L/R) 1Pair

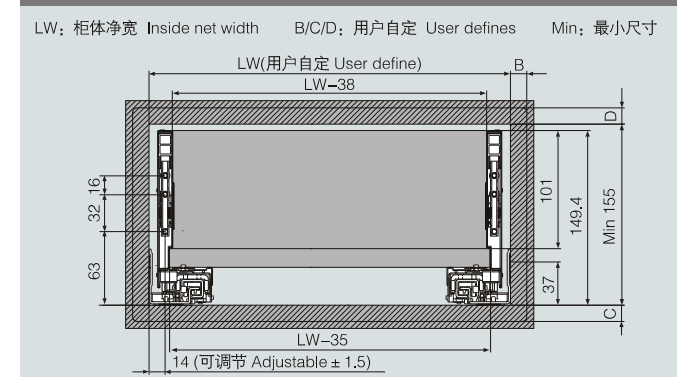
柜体滑轨安装孔尺寸 Hole pattern



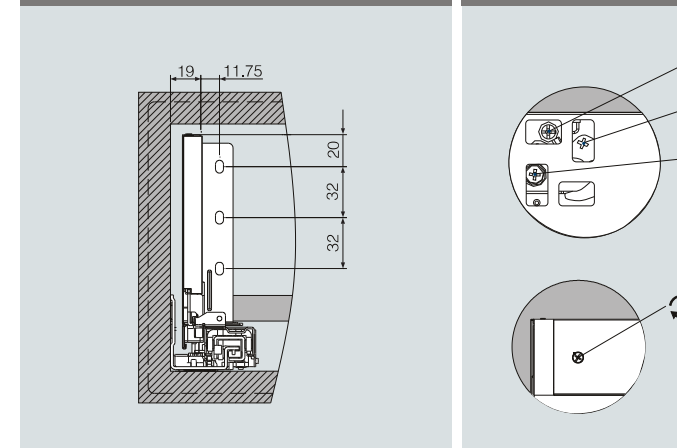
N3R 反弹滑轨 N3R Push-open slide



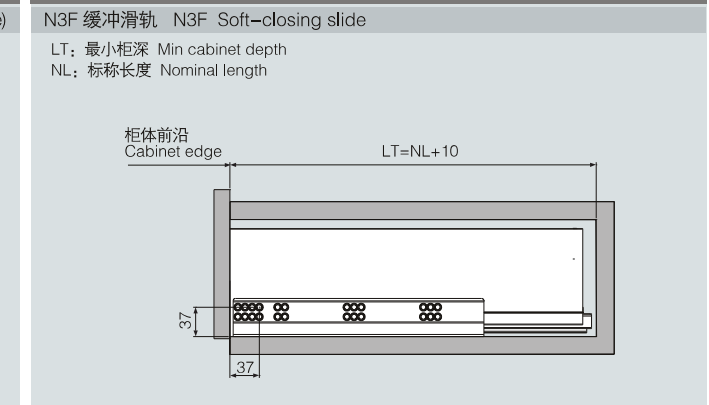
柜体所需空间 Space required



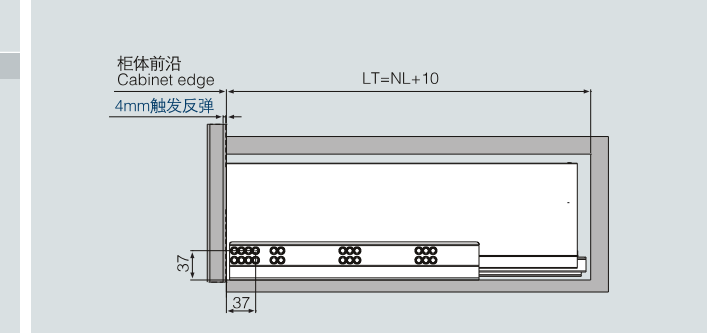
背板安装尺寸 Rear panel dimensions



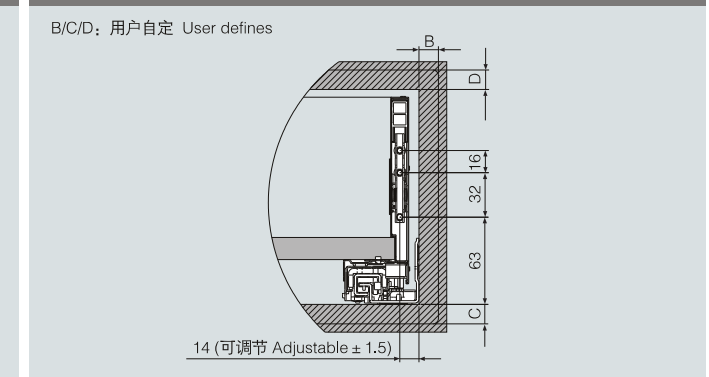
滑轨安装尺寸 Installation size



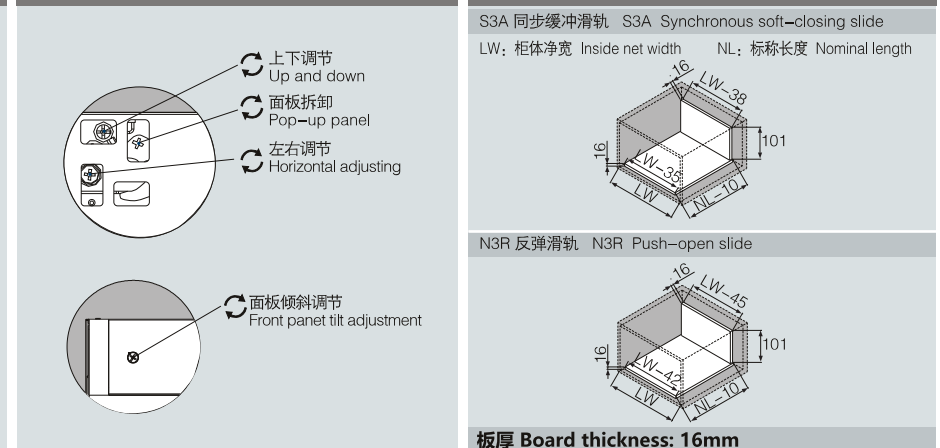
N3R 反弹滑轨 N3R Push-open slide



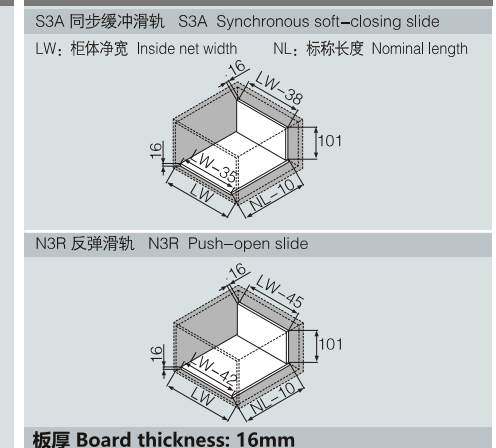
前接码面板安装尺寸 Connectors front panel dimensions



调节机构 Adjustment mechanism



抽屉木板尺寸 Drawer board dimensions

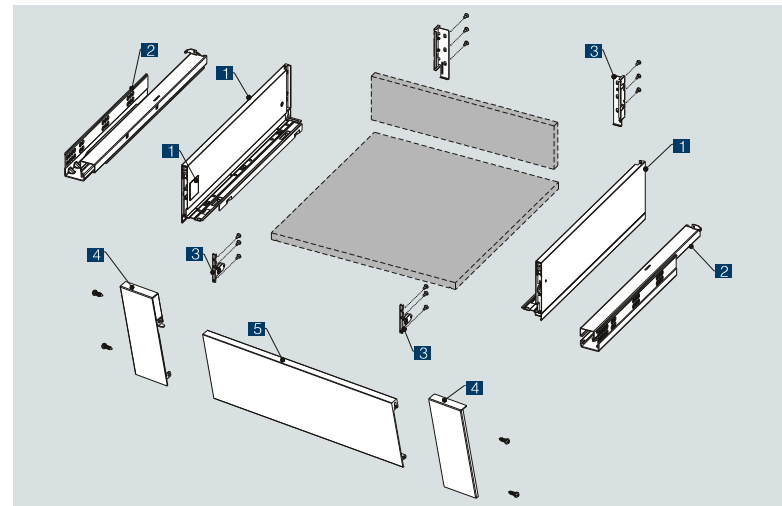


板厚 Board thickness: 16mm

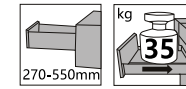


- 隐藏式全拉出缓冲抽屉
 - 表面颜色: 灰色、白色及其它颜色
 - 载重: 35kg
 - 无需工具, 抽屉可快速安装和拆卸
 - 同步静音系统, 滑轨运动顺畅
 - 三维调节, 上下(可调 ± 2mm)、左右(可调 ± 1.5mm)方向, 面板倾斜调节
 - 自闭功能, 平缓关闭, 抽屉关闭不受重量影响
 - 长度: 270-550mm
 - 针对面板无拉手的情形, 可选用内置反弹功能的 N3R隐藏式反弹滑轨
- Soft close concealed full extension drawer
 - Finish color: gray, white or various colors available
 - Dynamic load capacity: 35kg
 - Tool-free quick installation
 - Stroke synchronous quiet system can guarantee the slides run smoothly without noise
 - 6-way adjustment: ± 2mm up and down, ± 1.5mm left and right, front panel tilt adjustment
 - Soft-closing function make the drawer close safely without effect of weight
 - Length: 270-550mm
 - For the panel without handle, can choose the N3R concealed slide with built-in push-open function

产品型号 Item No.	滑轨型号及标称长度 Nominal length NL (mm)	拉出长度 (mm) Travel length	最小柜深LT (mm) Min cabinet depth	包装 (套/箱) Packing (Set/Box)
DZ101-270N	N3F-270 缓冲滑轨	249	280	4
DZ101-300N	N3F-300 缓冲滑轨	279	310	4
DZ101-350N	N3F-350 缓冲滑轨	329	360	4
DZ101-400N	N3F-400 缓冲滑轨	379	410	4
DZ101-450N	N3F-450 缓冲滑轨	429	460	4
DZ101-500N	N3F-500 缓冲滑轨	479	510	4
DZ101-550N	N3F-550 缓冲滑轨	529	560	4

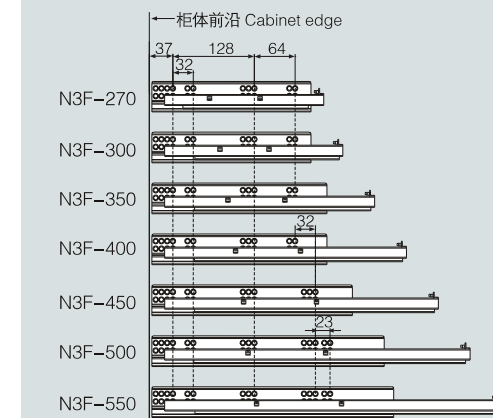


- DZ101 侧板(左/右)+装饰盖 1付
DZ101 Side board (L/R)+Cover 1Pair
- N3F缓冲滑轨
滑轨(左/右) 1付 (可选N3F缓冲滑轨或N3R反弹滑轨)
Slides (L/R) 1Pair (Optional N3F Soft-closing slide or N3R Push-open slide)
- DZ101 配件包(左/右) 1付
DZ101 Fitting bag (L/R) 1Pair
- DZ101 金属组件(左/右) 1付
DZ101 Metal part component (L/R) 1Pair
- DZ101 铝面板 1条
DZ101 Aluminum front panel 1Pcs

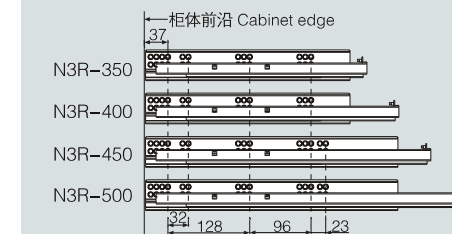


柜体滑轨安装孔尺寸 Hole pattern

N3F 缓冲滑轨 Soft-closing slide (可选同步缓冲滑轨 Optional Synchronous soft-closing slide)

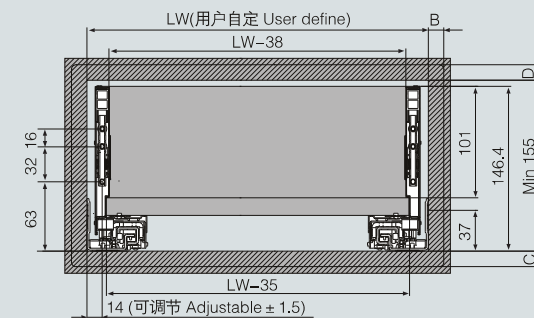


N3R 反弹滑轨 N3R Push-open slide



柜体所需空间 Space required

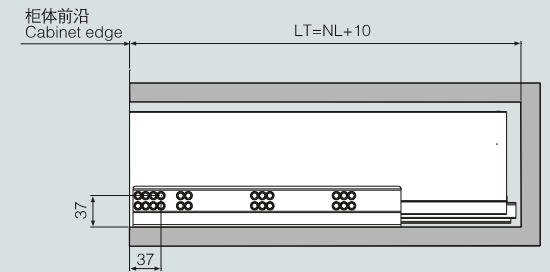
LW: 柜体净宽 Inside net width B/C/D: 用户自定义 User defines Min: 最小尺寸



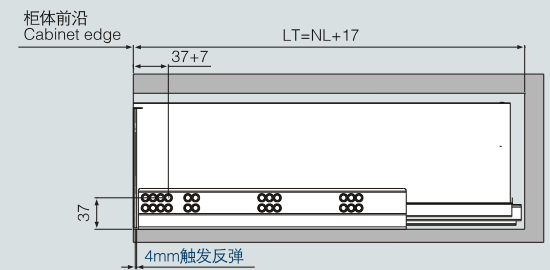
滑轨安装尺寸 Installation size

N3F 缓冲滑轨 N3F Soft-closing slide

LT: 最小柜深 Min cabinet depth
NL: 标称长度 Nominal length

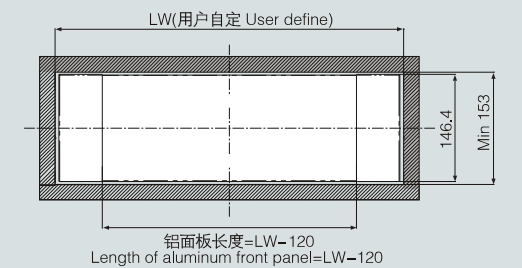


N3R 反弹滑轨 N3R Push-open slide

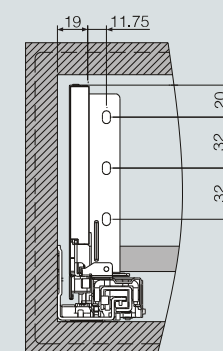


铝面板装配示意 Aluminum front panel assembly

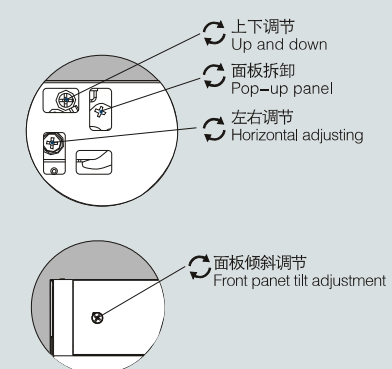
LW: 柜体净宽 Inside net width



背板安装尺寸 Rear panel dimensions

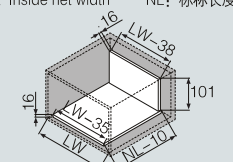


调节机构 Adjustment mechanism

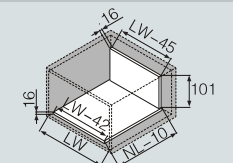


抽屉木板尺寸 Drawer board dimensions

S3A 同步缓冲滑轨 S3A Synchronous soft-closing slide
LW: 柜体净宽 Inside net width NL: 标称长度 Nominal length



N3R 反弹滑轨 N3R Push-open slide



板厚 Board thickness: 16mm

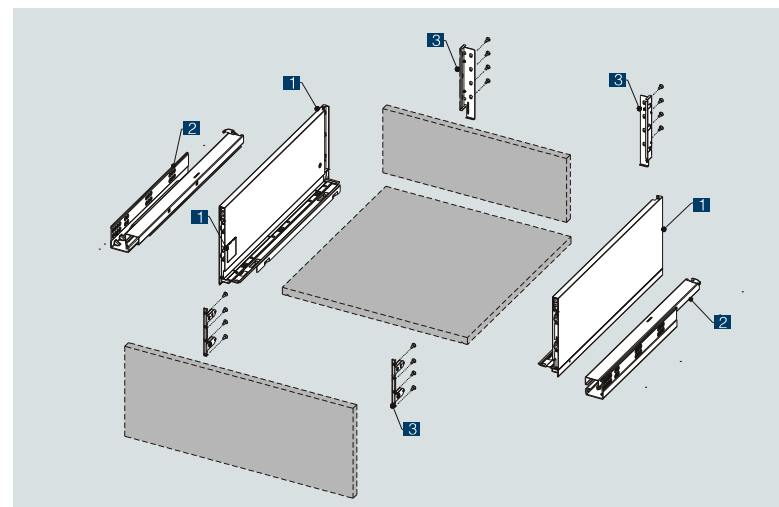


可配加高连杆 Optional tube

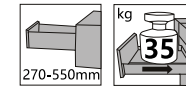


- 隐藏式全拉出缓冲抽屉
- 表面颜色: 灰色、白色及其它颜色
- 载重: 35kg
- 无需工具, 抽屉可快速安装和拆卸
- 同步静音系统, 滑轨运动顺畅
- 三维调节, 上下(可调±2mm)、左右(可调±1.5mm)方向, 面板倾斜调节
- 自闭功能, 平缓关闭, 抽屉关闭不受重量影响
- 长度: 270-550mm
- 针对面板无拉手的情形, 可选用内置反弹功能的N3R隐藏式反弹滑轨
- Soft close concealed full extension drawer
- Finish color: gray, white or various colors available
- Dynamic load capacity: 35kg
- Tool-free quick installation
- Stroke synchronous quiet system can guarantee the slides run smoothly without noise
- 6-way adjustment: ±2mm up and down, ±1.5mm left and right, front panel tilt adjustment
- Soft-closing function make the drawer close safely without effect of weight
- Length: 270-550mm
- For the panel without handle, can choose the N3R concealed slide with built-in push-open function

产品型号 Item No.	滑轨型号及标称长度 Nominal length NL (mm)	拉出长度 (mm) Travel length	最小柜深LT (mm) Min cabinet depth	包装 (套/箱) Packing (Set/Box)
DZ148-270W	N3F-270 缓冲滑轨	249	280	4
DZ148-300W	N3F-300 缓冲滑轨	279	310	4
DZ148-350W	N3F-350 缓冲滑轨	329	360	4
DZ148-400W	N3F-400 缓冲滑轨	379	410	4
DZ148-450W	N3F-450 缓冲滑轨	429	460	4
DZ148-500W	N3F-500 缓冲滑轨	479	510	4
DZ148-550W	N3F-550 缓冲滑轨	529	560	4

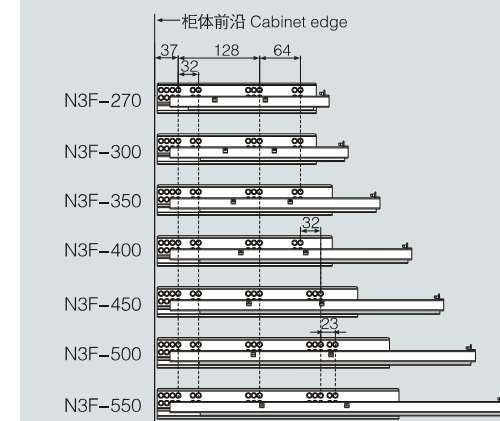


- 1** DZ148 侧板(左/右)+装饰盖 1付
DZ148 Side board (L/R)+Cover 1Pair
- 2** N3F缓冲滑轨(左/右) 1付 (可选N3F缓冲滑轨或N3R反弹滑轨)
Slides (L/R) 1Pair (Optional N3F Soft-closing slide or N3R Push-open slide)
- 3** DZ148 配件包(左/右) 1付
DZ148 Fitting bag (L/R) 1Pair

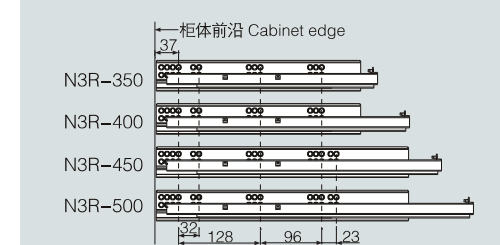


柜体滑轨安装孔尺寸 Hole pattern

N3F 缓冲滑轨 Soft-closing slide (可选同步缓冲滑轨 Optional Synchronous soft-closing slide)

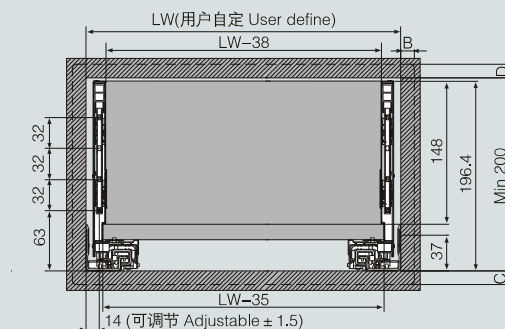


N3R 反弹滑轨 N3R Push-open slide



柜体所需空间 Space required

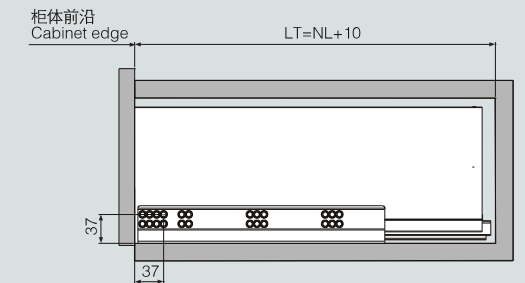
LW: 柜体净宽 Inside net width B/C/D: 用户自定义 User defines Min: 最小尺寸



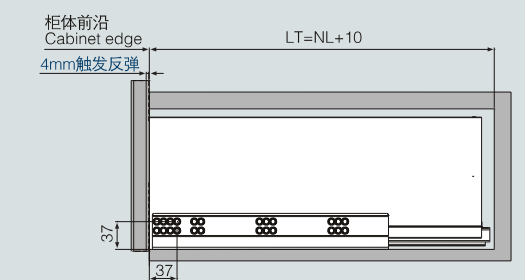
滑轨安装尺寸 Installation size

N3F 缓冲滑轨 N3F Soft-closing slide

LT: 最小柜深 Min cabinet depth
NL: 标称长度 Nominal length

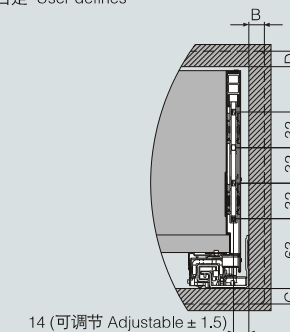


N3R 反弹滑轨 N3R Push-open slide

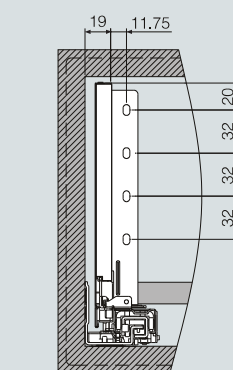


前接码面板安装尺寸 Connectors front panel dimensions

B/C/D: 用户自定义 User defines



背板安装尺寸 Rear panel dimensions



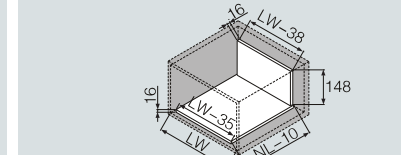
调节机构 Adjustment mechanism

- 上下调节 Up and down
- 面板拆卸 Pop-up panel
- 左右调节 Horizontal adjusting
- 面板倾斜调节 Front panel tilt adjustment

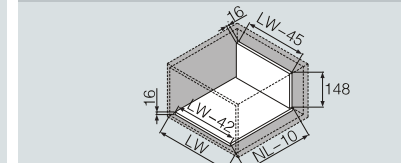
抽屉木板尺寸 Drawer board dimensions

S3A 同步缓冲滑轨 S3A Synchronous soft-closing slide

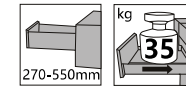
LW: 柜体净宽 Inside net width NL: 标称长度 Nominal length



N3R 反弹滑轨 N3R Push-open slide



板厚 Board thickness: 16mm

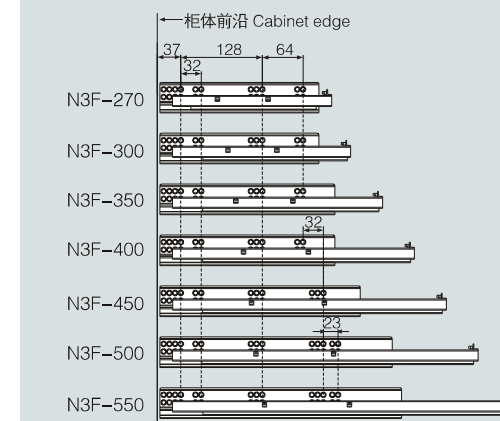


- 隐藏式全拉出缓冲抽屉
 - 表面颜色: 灰色、白色及其它颜色
 - 载重: 35kg
 - 无需工具, 抽屉可快速安装和拆卸
 - 同步静音系统, 滑轨运动顺畅
 - 三维调节, 上下(可调±2mm)、左右(可调±1.5mm)方向, 面板倾斜调节
 - 自闭功能, 平缓关闭, 抽屉关闭不受重量影响
 - 长度: 270-550mm
 - 针对面板无拉手的情形, 可选用内置反弹功能的N3R隐藏式反弹滑轨
- Soft close concealed full extension drawer
 - Finish color: gray, white or various colors available
 - Dynamic load capacity: 35kg
 - Tool-free quick installation
 - Stroke synchronous quiet system can guarantee the slides run smoothly without noise
 - 6-way adjustment: ±2mm up and down, ±1.5mm left and right, front panel tilt adjustment
 - Soft-closing function make the drawer close safely without effect of weight
 - Length: 270-550mm
 - For the panel without handle, can choose the N3R concealed slide with built-in push-open function

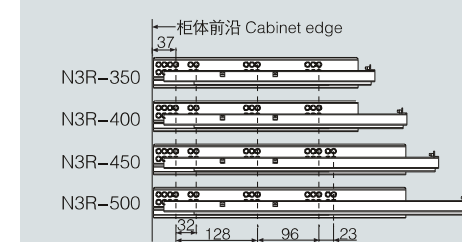
产品型号 Item No.	滑轨型号及标称长度 Nominal length NL (mm)	拉出长度 (mm) Travel length	最小柜深LT (mm) Min cabinet depth	包装 (套/箱) Packing (Set/Box)
DZ148-270N	N3F-270 缓冲滑轨	249	280	4
DZ148-300N	N3F-300 缓冲滑轨	279	310	4
DZ148-350N	N3F-350 缓冲滑轨	329	360	4
DZ148-400N	N3F-400 缓冲滑轨	379	410	4
DZ148-450N	N3F-450 缓冲滑轨	429	460	4
DZ148-500N	N3F-500 缓冲滑轨	479	510	4
DZ148-550N	N3F-550 缓冲滑轨	529	560	4

柜体滑轨安装孔尺寸 Hole pattern

N3F 缓冲滑轨 Soft-closing slide (可选同步缓冲滑轨 Optional Synchronous soft-closing slide)



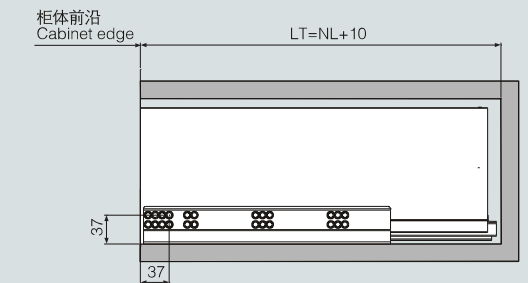
N3R 反弹滑轨 N3R Push-open slide



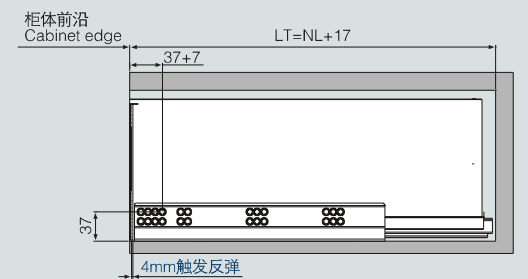
滑轨安装尺寸 Installation size

N3F 缓冲滑轨 N3F Soft-closing slide

LT: 最小柜深 Min cabinet depth
NL: 标称长度 Nominal length

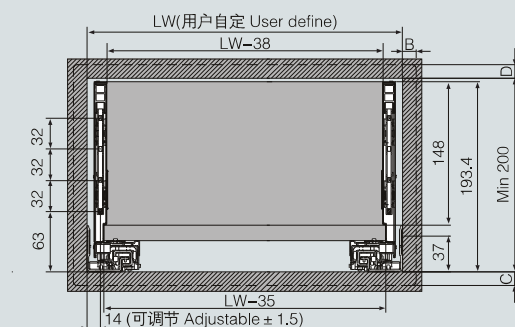


N3R 反弹滑轨 N3R Push-open slide



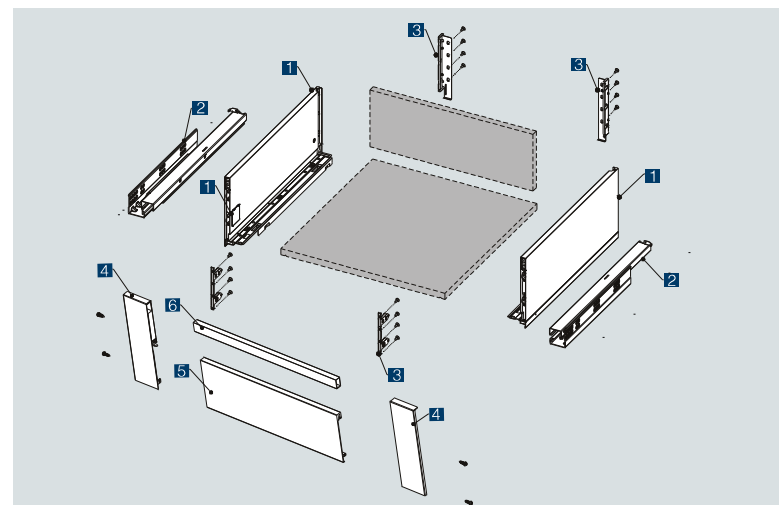
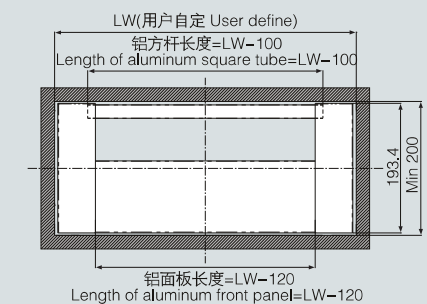
柜体所需空间 Space required

LW: 柜体净宽 Inside net width B/C/D: 用户自定义 User defines Min: 最小尺寸



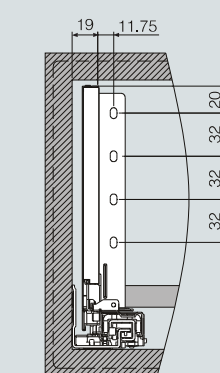
铝面板装配示意 Aluminum front panel assembly

B/C/D: 用户自定义 User defines

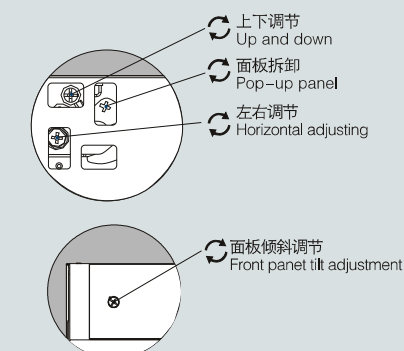


- DZ148 侧板(左/右)+装饰盖 1付
DZ148 Side board (L/R)+Cover 1Pair
- N3F 缓冲滑轨(左/右) 1付 (可选N3F缓冲滑轨或N3R反弹滑轨)
Slides (L/R) 1Pair (Optional N3F Soft-closing slide or N3R Push-open slide)
- DZ148 配件包(左/右) 1付
DZ148 Fitting bag (L/R) 1Pair
- DZ148 金属组件(左/右) 1付
DZ148 Metal part component (L/R) 1Pair
- DZ148 铝面板 1条
DZ148 Aluminum front panel 1Pcs
- DZ148 铝方杆 1条
DZ148 Aluminum square tube 1Pcs

背板安装尺寸 Rear panel dimensions

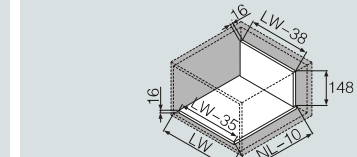


调节机构 Adjustment mechanism

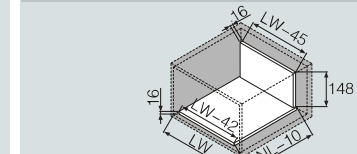


抽屉木板尺寸 Drawer board dimensions

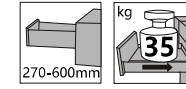
S3A 同步缓冲滑轨 S3A Synchronous soft-closing slide
LW: 柜体净宽 Inside net width NL: 标称长度 Nominal length



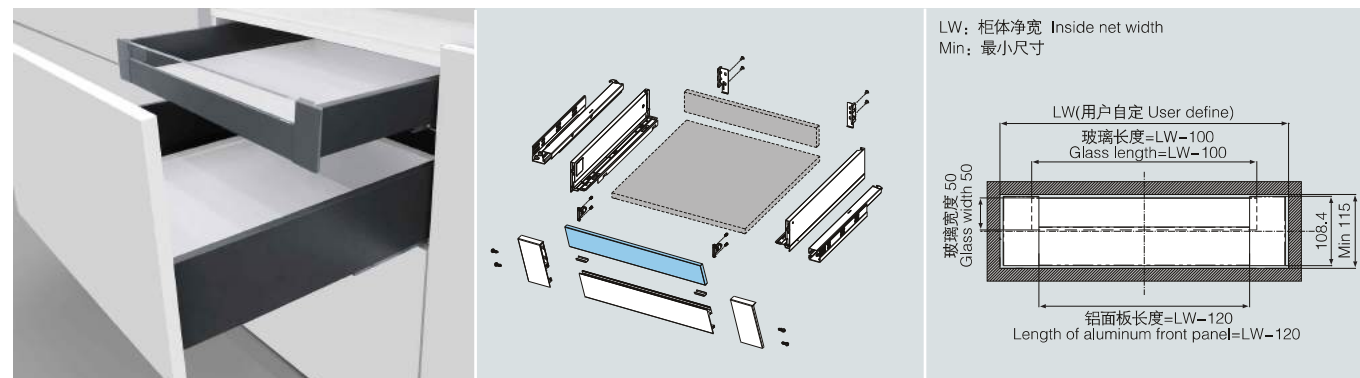
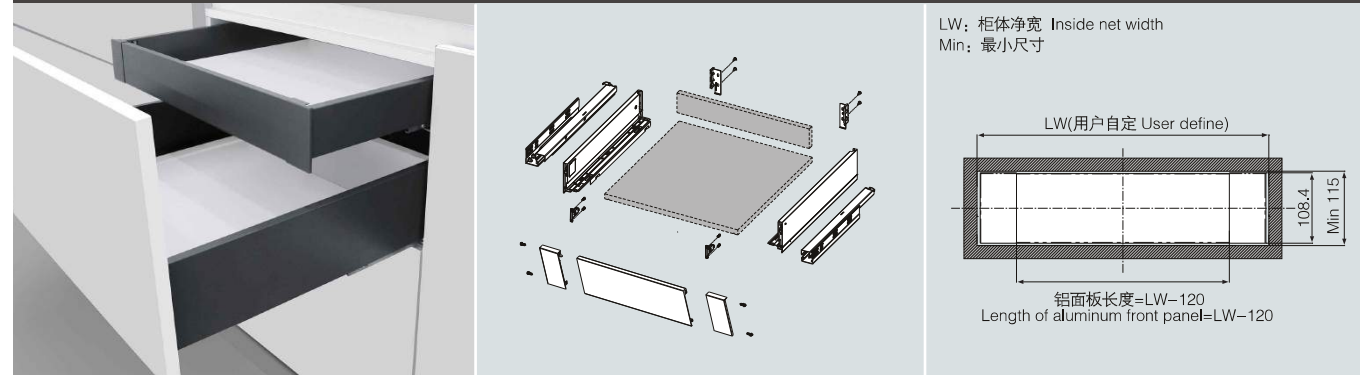
N3R 反弹滑轨 N3R Push-open slide



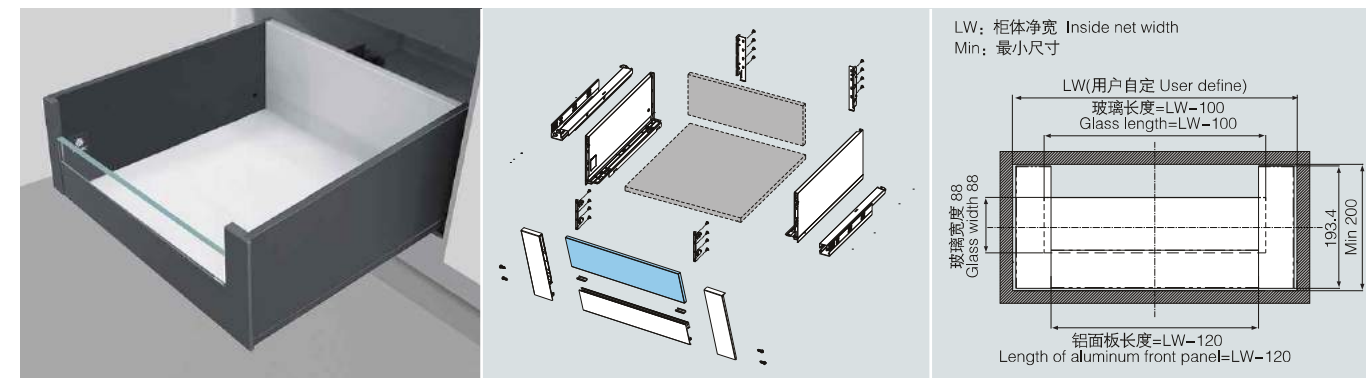
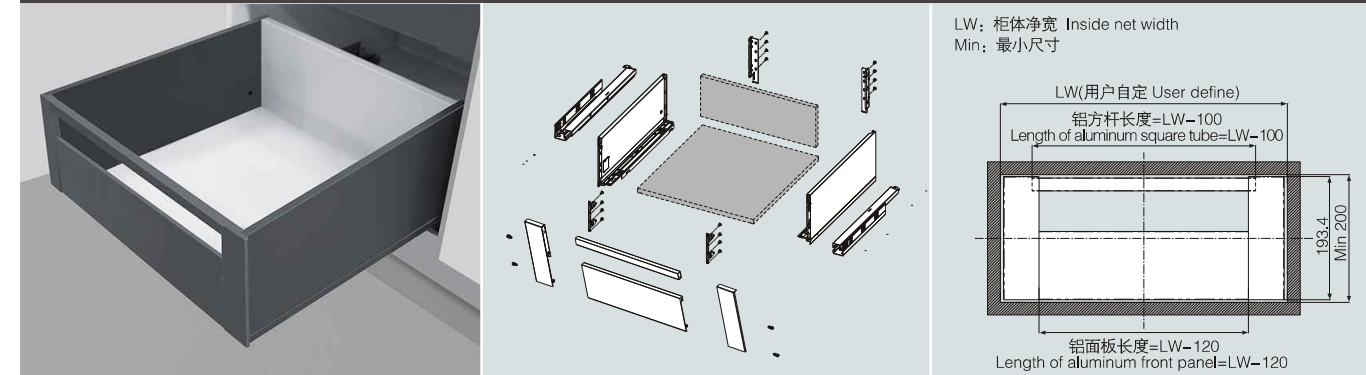
板厚 Board thickness: 16mm



DZ63N 超薄豪华骑马抽屉-(内低抽) Slim Luxury Double Wall Drawer -(Lower Inner Drawer)



DZ148N 超薄豪华骑马抽屉-(内高抽) Slim Luxury Double Wall Drawer -(High Inner Drawer)



DZ101N 超薄豪华骑马抽屉-(内中抽) Slim Luxury Double Wall Drawer -(Medium Inner Drawer)

